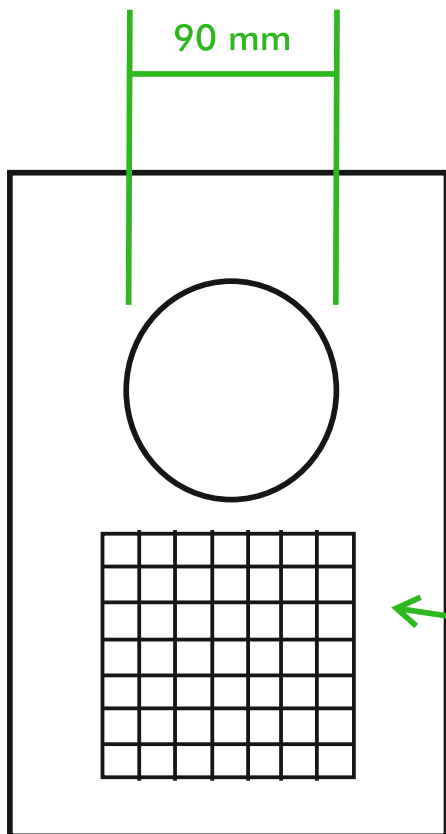
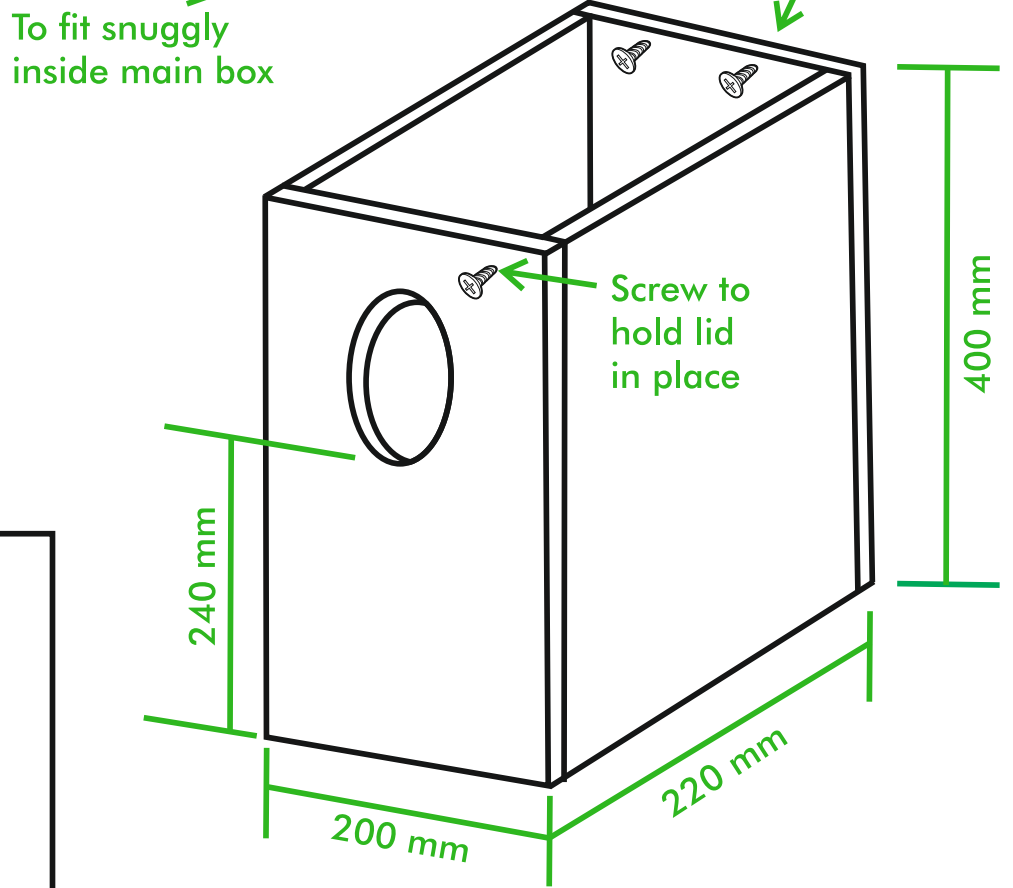
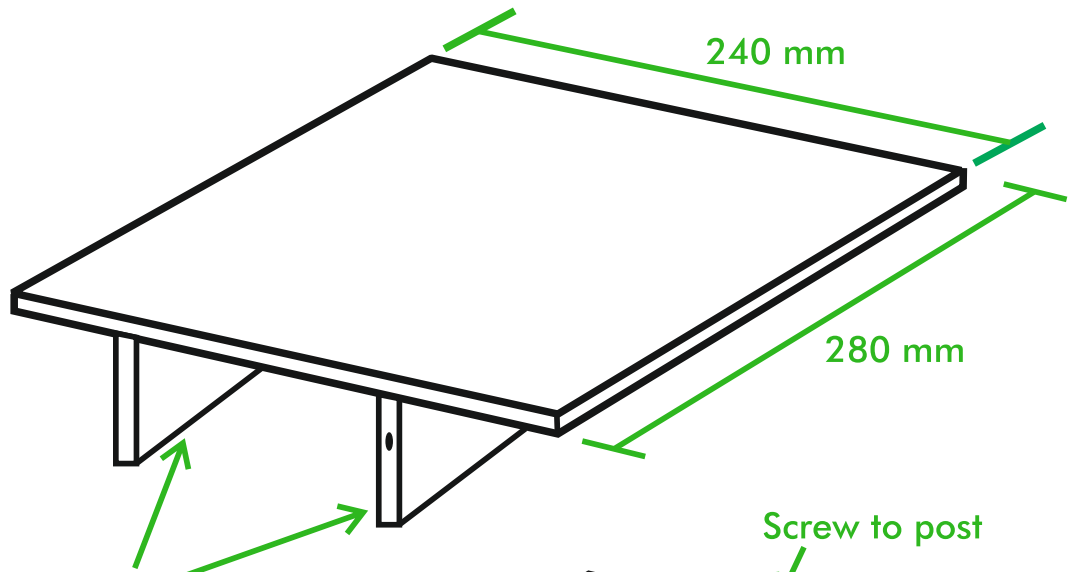




# Nesting Box



FRONT VIEW

- You will need**
- 10mm Tan Ply
  - 3 Screws
  - Nails
  - Netting